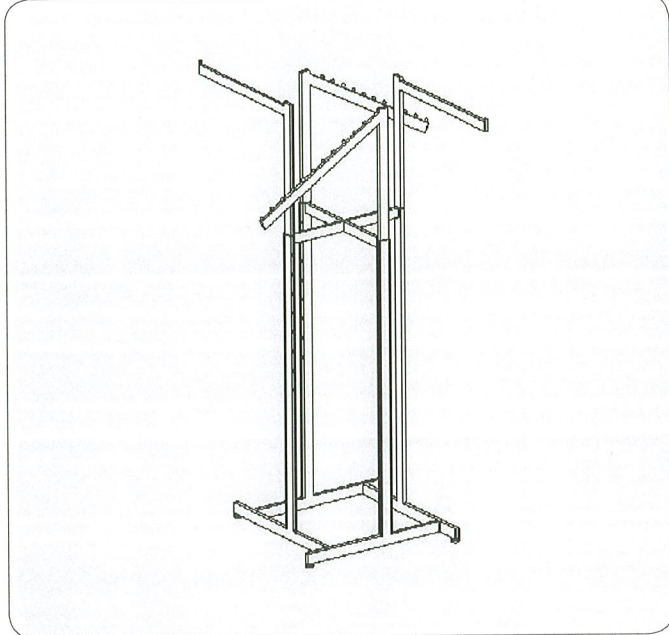


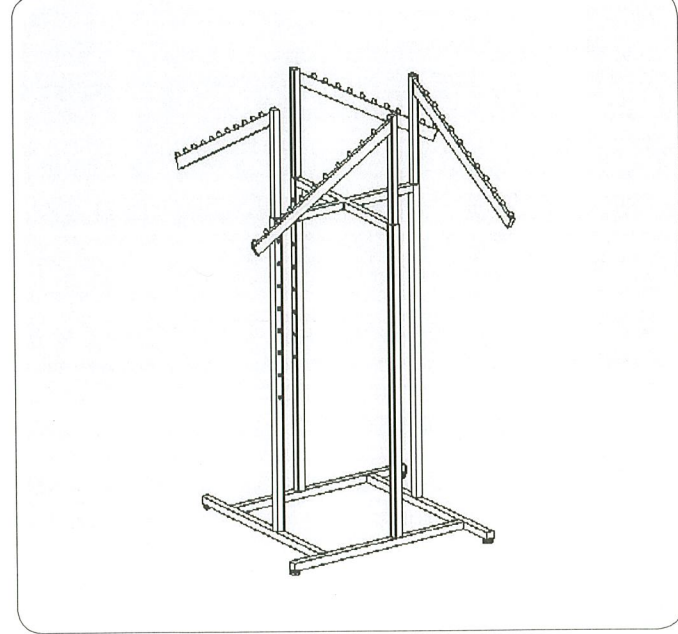
**#0504**  
Base of 5/8" x 1 5/8" rectangular tubing with 4 adjustable levellers.  
Four 22" straight arms of 1/2" x 1 1/2" rectangular tubing.



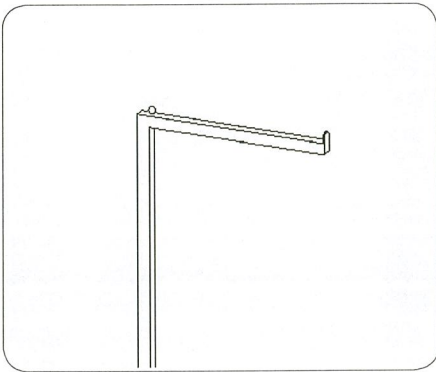
**#0505**  
Base same as #0504. Arms of two 22" straight arms two 22" slant arms  
with 11 balls of 1/2" x 1 1/2" rectangular tubing.



**#0506**  
Base of 1" square tubing with 4 adjustable levellers.  
Four 22" straight arms of 1/2" x 1 1/2" rectangular tubing.

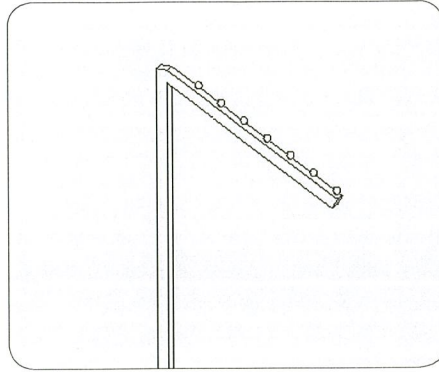


**#0507**  
Base same as #0506. Arms of four 22" slant arms with 11 balls of  
1/2" x 1 1/2" rectangular tubing.



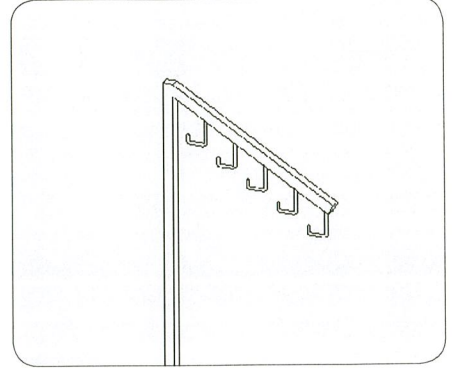
**#0600**

Arm made of square tubing. Fits 1" square tubing uprights. Chrome finish. 16" straight arm.



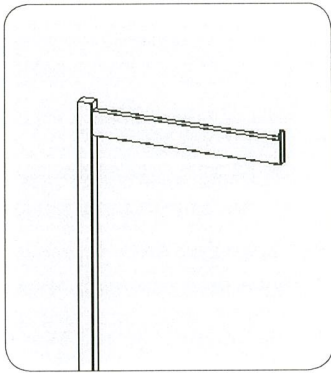
**#0601**

16" slant arm with 7 balls.



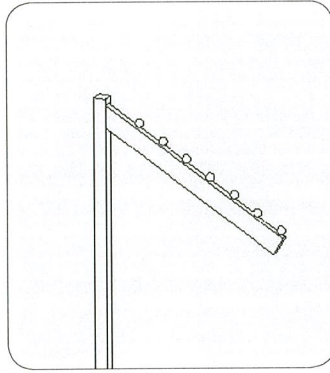
**#0602**

16" slant arm with 5 hooks.



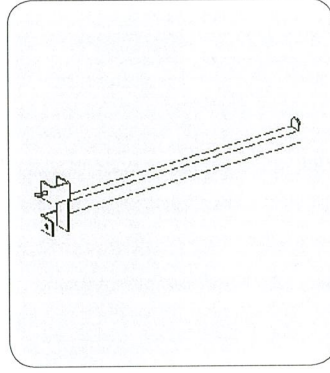
**#0603**

Arms made of 1/2" x 1 1/2" rectangular tubing. Fits square tubing uprights. Chrome finish. 16" straight arm.



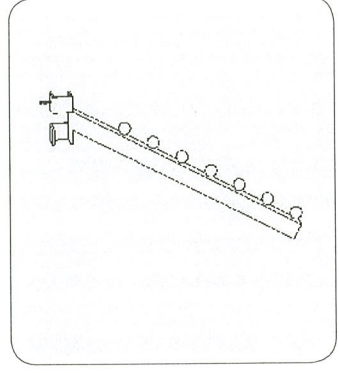
**#0604**

16" slant arm with 7 balls.



**#0606-12**

Twist on arms of square tubing fits 1" square tubing uprights. Chrome finish. 12" straight arm.

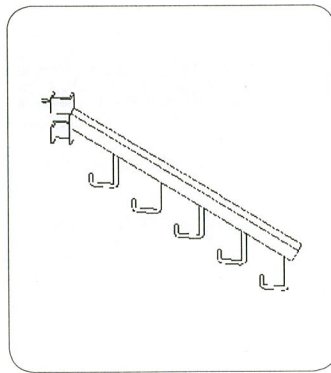


**#0607**

16" slant arm with 7 balls.

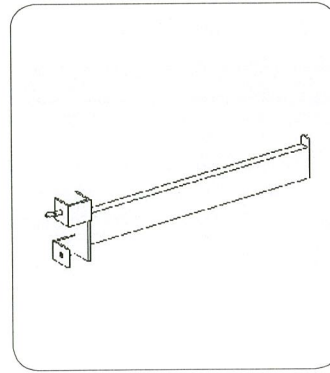
**#0606-16**

16" straight arm.



**#0608**

16" slant arm with 5 hooks.

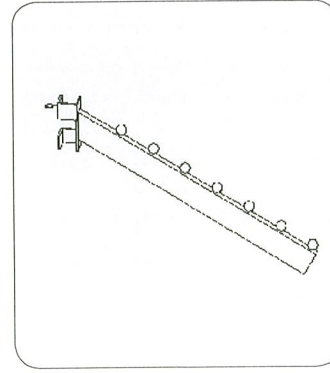


**#0609**

12" straight arm.

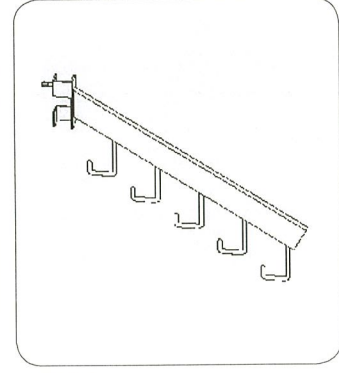
**#0610**

16" straight arm.



**#0611**

16" slant arm with 7 balls.



**#0612**

16" slant arm with 5 hooks.